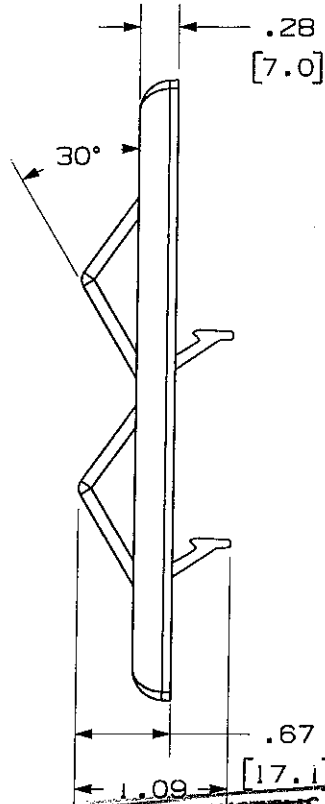
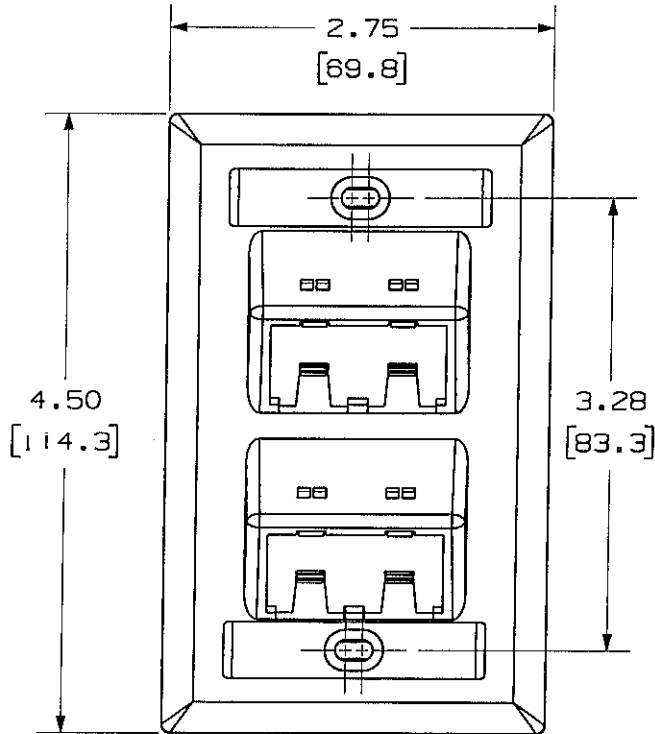


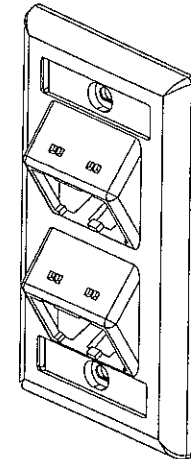
THIS COPY IS PROVIDED ON A RESTRICTED BASIS AND IS NOT TO BE USED IN ANY WAY DETRIMENTAL TO THE INTERESTS OF PANDUIT CORP.



PANDUIT P/N	WEIGHT
CFPSL4**Y	.57 LB/10 PCS. (256.7 G/10 PCS.)

NOTES:

- SEE CURRENT CATALOG FOR ADDITIONAL PART NUMBER SUFFIXES TO INDICATE COLOR AND OR PACKAGE QUANTITY.
- SEE CATALOG FOR COMPLETE LIST OF PARTS APPLICABLE FOR USE WITH THIS PART.
- PART INCLUDES:
  - 1- FACEPLATE
  - 2- MOUNTING SCREW
  - 2- LABEL
  - 2- LABEL COVER
- DIMENSIONS IN ( ) ARE IN METRIC.



NETWORK SYSTEMS  
MAY 25 2006  
ENGINEERING DEPT

MODEL FILENAME	M007348B_4POS_VSLOPED_05.PRT	SIZE	A
DRAWING FILENAME	M02479EH_DC114_00A.PRT		

MINI-COM 4 POSITION VERTICAL SLOPED FACEPLATE WITH LABEL CUSTOMER DRAWING

<p>THIRD ANGLE PROJECTION</p>	<p>PANDUIT<sup>TM</sup> CORP. TINLEY PARK, ILL 60477</p>	I.I. NUMBER	N/A
		PRODUCT SPEC	N/A
		WORK INSTRUCTION	N/A
		SCALE	NONE
		PART NO.	CFPSL4**Y
		DRAWING NO.	02479-114

ALL DIMENSIONS ARE GIVEN IN INCHES, UNLESS OTHERWISE SPECIFIED.  
DIMENSIONAL TOLERANCES ARE:  
(.X) ± (.XXX) ± .010(.3)  
(.XX) ± .03(.8) ANGLES ±

DRAWN BY  
JsP  
DATE  
4-26-06  
CHK'D  
MJD

MATERIAL:  
ABS

REV	DATE	BY	CHK	DESCRIPTION	ECN	R	CUST	SUP	OTH
R	4-26-06	JsP	MJD	RELEASED TO PRODUCTION	02479-114				